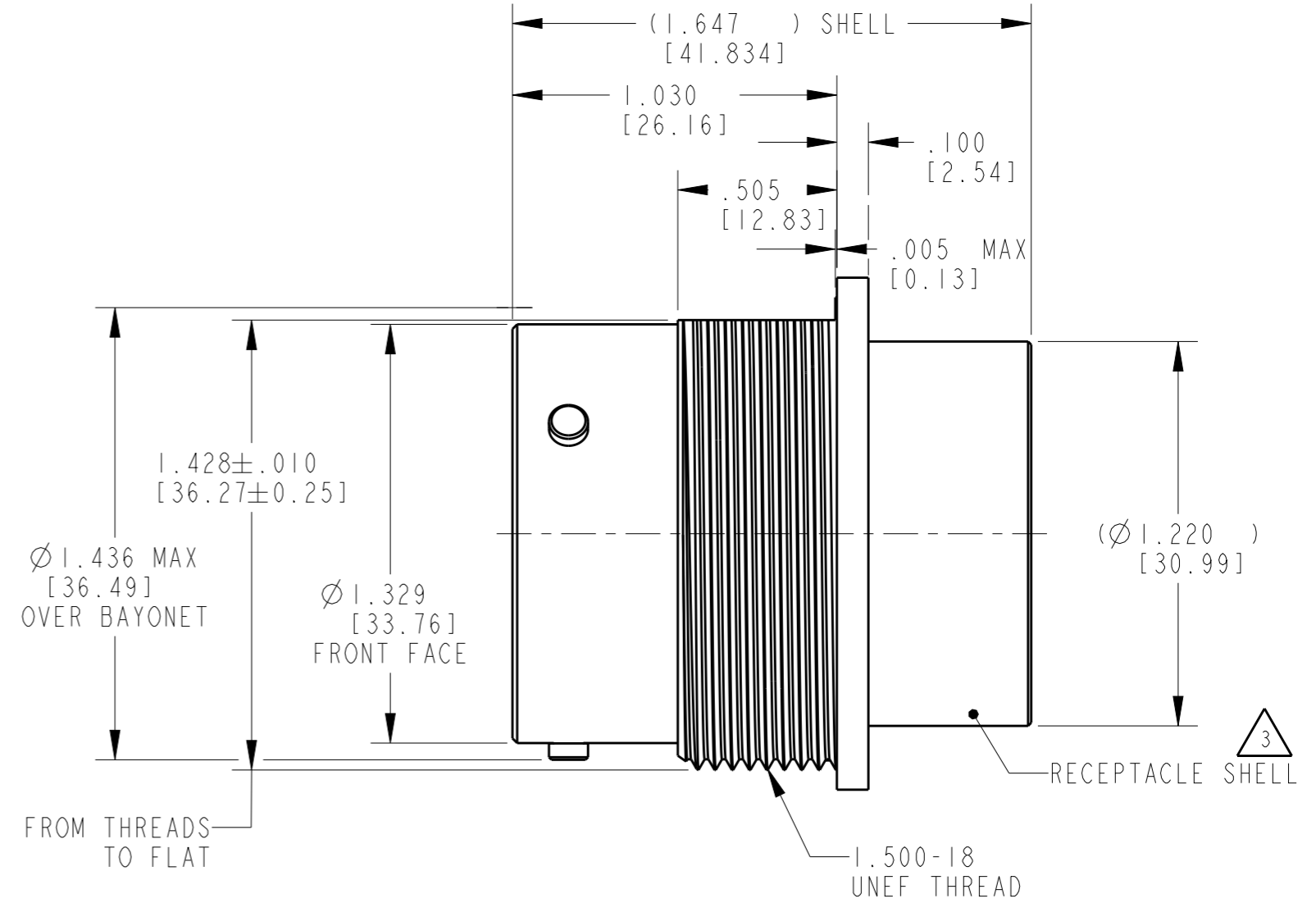
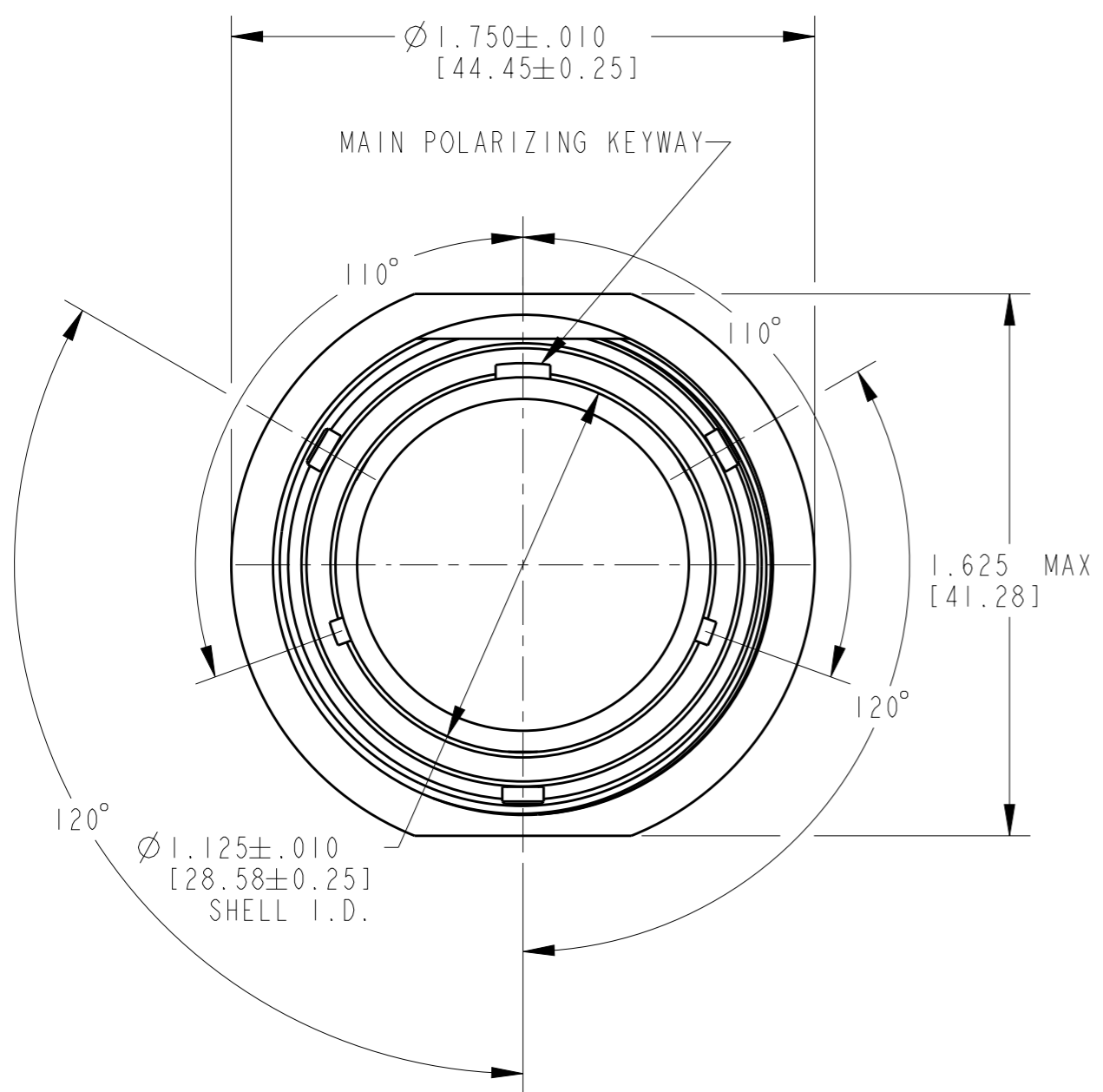


LOC		DIST		REVISIONS			
P	LTR	DESCRIPTION	DATE	DWN	APVD		
-	-	NC	NEW RELEASE PER E.O. A14915	04DEC1995	-	RDR	
-	-	A	REVISED PER ECO-15-001798	19MAR2015	VNB	DM	



3. MATERIAL:  
 RECEPTACLE SHELL: AL 6000 SERIES

- 2. FOR ARRANGEMENT OF CONTACT LOCATION SEE ENVELOPE DRAWING 0425-013-1800.
- 1. CONSULT THE FACTORY FOR ELECTRICAL AND MATERIAL SPECIFICATIONS.

NOTES:

THIS DRAWING IS A CONTROLLED DOCUMENT.		DWN V. TOMSA 07NOV1995		
DIMENSIONS: INCHES [mm]		CHK V. TOMSA 04DEC1995		
TOLERANCES UNLESS OTHERWISE SPECIFIED:		APVD R. REED 04DEC1995		
0 PLC ±- 1 PLC ±- 2 PLC ±- 3 PLC ±.010 [0.254] 4 PLC ±- ANGLES ±0° 30' 0"		PRODUCT SPEC 0425-016-0000		
MATERIAL SEE NOTE		FINISH -	NAME RECEPTACLE CONNECTOR SHELL SIZE 18 BAYONET COUPLING HD30 SERIES	
		APPLIC. SPEC 0425-015-0000	SIZE A3	CAGE CODE -
		WEIGHT -	DRAWING NO. HD34-18-XXP/SX	
		Customer Drawing	SCALE 2:1	SHEET 1 OF 1
			RESTRICTED TO -	REV A